



COCONUT INDUSTRY INVESTMENT FUND - Granexport Manufacturing Corporation
Bids and Awards Committee I

Bid Bulletin No. 1

August 5, 2024

Project Name: **2nd Public Bidding for the Procurement of Various Bearings for Granexport Manufacturing Corporation**

Project Number: **GMC-2024-009B (PhilGEPS#11081901)**

This Supplemental/Bid Bulletin is issued to all prospective bidders to clarify, modify and/or amend pertinent items in the Philippine Bidding Documents as discussed and agreed during the Pre-Bid Conference held on August 1, 2024 for the abovementioned project of Coconut Industry Investment Fund - Granexport Manufacturing Corporation.

Attached pictures are provided for the guidance and reference of all prospective bidders:

ADDENDUM

TECHNICAL SPECIFICATIONS

Please see attached pictures for the following items:

LOT 1 - TAPERED ROLLER BEARINGS

(See attached Annex "A-1")

1. ROLLER BEARING CONE AND CUP SIMILAR TO PN 93125/93750 TAPERED – 2 SET
2. ROLLER BEARING CONE AND CUP SIMILAR TO PN HH-221431/410 TAPERED – 5 SET
3. ROLLER BEARING CONE AND CUP SIMILAR TO PN 635/632 TAPERED – 4 PCS
4. ROLLER BEARING CONE AND CUP SIMILAR TO PN 813841/813811 TAPERED – 7 PCS
5. ROLLER BEARING CONE AND CUP SIMILAR TO PN 565/563-D TAPERED – 3 SET
6. ROLLER BEARING CONE AND CUP SIMILAR TO PN H-715341/H-715311 TAPERED – 5 SET
7. ROLLER BEARING CONE AND CUP SIMILAR TO PN HH-228310/HH-228340 TAPERED – 2 SET
8. ROLLER BEARING SIMILAR TO PN 32218 TAPERED – 6 PCS
9. ROLLER BEARING CONE AND CUP SIMILAR TO PN X32212/Y32212 TAPERED – 6 SET
10. ROLLER BEARING CONE AND CUP SIMILAR TO PN 99550/99100 TAPERED – 3 SET
11. ROLLER BEARING CONE AND CUP SIMILAR TO PN X30219/Y30219 TAPERED – 4 SET
12. ROLLER BEARING CONE AND CUP SIMILAR TO PN X32215/Y32215 TAPERED – 8 SET
13. ROLLER BEARING CONE AND CUP SIMILAR TO PN X32217/Y32217 TAPERED – 6 SET



COCONUT INDUSTRY INVESTMENT FUND - Granexport Manufacturing Corporation
Bids and Awards Committee I

14. ROLLER BEARING CONE AND CUP SIMILAR TO PN HR 30312J TAPERED – 8 SET
15. ROLLER BEARING CONE AND CUP SIMILAR TO PN H 715332/H715311 TAPERED – 6 SET
16. ROLLER BEARING CONE AND CUP SIMILAR TO PN 94649/94113 TAPERED – 1 SET
17. ROLLER BEARING CONE AND CUP SIMILAR TO PN 832/835 TAPERED – 1 SET
18. ROLLER BEARING CONE AND CUP SIMILAR TO PN 932/941 TAPERED – 1 SET
19. ROLLER BEARING CONE AND CUP SIMILAR TO PN 237535/237510 TAPERED – 11 SET

LOT 2 - SPHERICAL ROLLER BEARINGS

(See attached Annex "A-2")

1. ROLLER BEARING SIMILAR TO PN 23048 CC/C3W33 SPHERICAL – 16 PCS
2. ROLLER BEARING SIMILAR TO PN 22220 E1 SPHERICAL – 11 PCS

LOT 3 - CYLINDRICAL ROLLER BEARINGS

(See attached Annex "A-3")

1. ROLLER BEARING SIMILAR TO PN 5220 EX/MA CYLINDRICAL – 50 PCS
2. ROLLER BEARING SIMILAR TO PN 5212 EX/MA CYLINDRICAL – 125 PCS

LOT 4 - THRUST BEARING

(See attached Annex "A-4")

THRUST BEARING SIMILAR TO PN T811 – 1 PC

LOT 5 - STEEL CAGE BALL BEARINGS

(See attached Annex "A-5")

BALL BEARING SIMILAR TO PN 6319 C3 STEEL CAGE – 8 PCS

(Ref. page 36-37 - Technical Specifications)



**COCONUT INDUSTRY INVESTMENT FUND - Granexport Manufacturing Corporation
Bids and Awards Committee I**

All other portions of the Bidding Documents affected by this Addendum shall be made to conform to the same.

Amendments/inclusions/clarifications made herein shall be made integral part of the Bidding Documents.

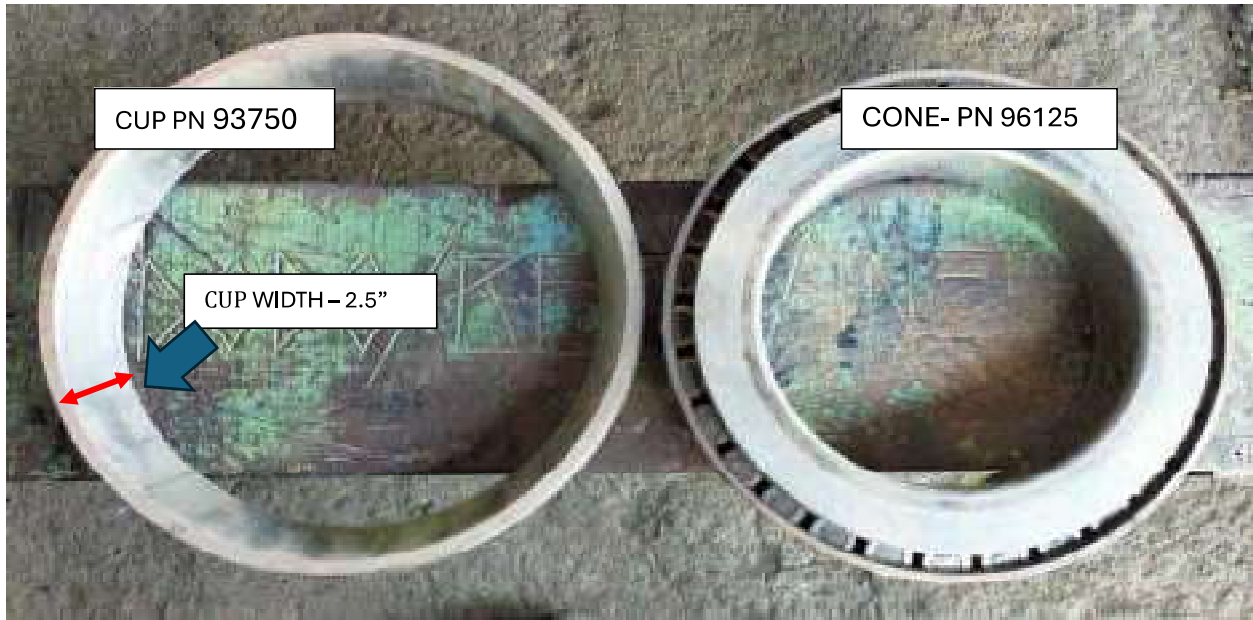
For information and guidance of all concerned.

Originally Signed

AL MATTHEW P. UMALI

Chairperson, Bids and Awards Committee I

Annex "A-1"



ROLLER BEARING CUP AND CONE PN 93125/93750 TAPERED

Series; 93000

Cup Part Number: 93750

Cone Part Number: 93125

Cage Material: Stamped Steel

Dimension Unit: Inches

Bore Diameter: 7.5 inches

Cup Outer Diameter: 12.5 inches

Cone Width; 2.5 inches



**ROLLER BEARING CUP AND CONE PN HH221431/221410
TAPERED**

Series; HH221400

Cup Part Number: HH221431

Cone Part Number: HH221410

Cage Material: Stamped Steel

Dimension Unit: Inches

Bore Diameter: 3.1250 inches

Cup Outer Diameter: 7.5 inches

Cone Width; 2.2650 inches

Annex "A-1"



ROLLER BEARING CUP AND CONE PN 635/632 TAPERED

Cup Part Number: 632
Cone Part Number: 635
Cage Material: Steel
Dimension Unit: Inches
Bore Diameter: 2.125 inches
Cup Outer Diameter: 5.375 inches
Cone Width; 1.625 inches
SEALS OR SHIELD: OPEN TYPE



**ROLLER BEARING CUP AND CONE PN
813841/813811-HM TAPERED**

Cup Part Number: HM813811

Cone Part Number: HM813841

Dimension Unit: inches

Bore diameter: 1.437"

Inside Diameter: 2.375"

Outer Diameter: 5.0 "

Width; 1.437"



ROLLER BEARING CUP AND CONE PN 565/563 D TAPERED

Bore Diameter: 63.5 mm

Outer Diameter: 127mm

Double Cup width: 65.09mm

Cone Width: 36.17mm

Bearing Width Across the cone: 80.96mm

Annex "A-1"



ROLLER BEARING CUP AND CONE PN H-715341/H-715311 TAPERED

Series; H715300

Cup Part Number: H715311

Cone Part Number: H715341

Cage Material: Stamped Steel

Dimension Unit: Inches

Bore Diameter: 2.6250"

Cup Outer Diameter: 5.3750"

Cone Width; 1.8125"

Annex "A-1"



ROLLER BEARING CUP AND CONE PN HH-228310/HH-228340 TAPERED

Series; HH228300

Cup Part Number: HH228310

Cone Part Number: HH228340

Cage Material: Stamped Steel

Dimension Unit: Inches

Bore Diameter: 4.750"

Cup Outer Diameter: 10.0"

Cone Width; 3.250"

Cup Width: 2.4375"

Bearing Width: 3.0625"

Annex "A-1"



ROLLER BEARING CUP AND CONE PN 32218/32218 A
TAPERED

Measurement: Metric

Inner Diameter: 90 mm

Outside Diameter: 160 mm

Bearing Width: 42.5 mm

Annex "A-1"



ROLLER BEARING CUP AND CONE PN X32212/Y32212 TAPERED

Series; 32212

Cup Part Number: Y32212

Cone Part Number: X32212

Cage Material: Stamped Steel

Dimension Unit: Metric

Bore Diameter: 60 mm

Cup Outer Diameter: 110 mm

Cone Width; 28 mm

Cup Width: 24 mm

Bearing Width: 29.750mm



ROLLER BEARING CUP AND CONE PN 99550/99100 TAPERED

Series; 99000

Cup Part Number: 99100

Cone Part Number: 99550

Cage Material: Stamped Steel

Dimension Unit: English

Bore Diameter: 5.5"

Cup Outer Diameter: 10"

Cone Width; 2.625"

Cup Width: 1.875"

Bearing Width: 2.625"

Annex "A-1"



ROLLER BEARING CUP AND CONE PN X30219/Y30219 TAPERED

Cup Part Number: Y30219

Cone Part Number: X30219

Cage Material: Stamped Steel

Dimension Unit: Metric

Inside Diameter: 95 mm

Outer Diameter: 170 mm

Cone Width; 32 mm

Cup Width: 27 mm

Thickness : 34.5mm

Annex "A-1"



ROLLER BEARING CUP AND CONE PN X32215/Y32215 TAPERED

Cup Part Number: Y32215

Cone Part Number: X32215

Cage Material: Stamped Steel

Dimension Unit: Metric

Bore Diameter: 75 mm

Outer Diameter: 130 mm

Cone Width; 31 mm

Cup Width: 27 mm

Thickness: 33.250mm



ROLLER BEARING CUP AND CONE PN X32217/Y32217 TAPERED

Cup Part Number: Y32217
Cone Part Number: X32217
Cage Material: Stamped Steel
Dimension Unit: Metric
Bore Diameter: 85 mm
Outer Diameter: 150 mm
Cone Width; 36 mm
Cup Width: 30 mm
Thickness: 38.5 mm

Annex "A-1"



ROLLER BEARING CUP AND CONE H30312J/HR 30312J TAPERED

Dimension Unit: Metric

Bore Diameter: 60 mm

Outer Diameter: 130 mm

Width; 33.5 mm



ROLLER BEARING CUP AND CONE PN H 715332/H 715311
TAPERED

Cup Part Number: H715311
Cone Part Number: H715332
Cage Material: Stamped Steel
Dimension Unit: English
Bore Diameter: 2.375"
Outer Diameter: 5.375"
Cone Width; 1.8125"
Cup Width: 1.4375"
Thickness: 1.8125"

Annex "A-1"



ROLLER BEARING CUP AND CONE PN 94649/94113 TAPERED

Cup Part Number: 94113
Cone Part Number: 94649
Cage Material: Stamped Steel
Dimension Unit: English
Bore Diameter: 6.5"
Outer Diameter: 11.3750"
Cone Width; 2.5"
Cup Width: 1.8750"
Thickness: 2.50"

Annex "A-1"



ROLLER BEARING CUP AND CONE PN 832/835 TAPERED

Cup Part Number: 832

Cone Part Number: 835

Cage Material: Stamped Steel

Dimension Unit: English

Bore Diameter: 2.75"

Outer Diameter: 6.625"

Cone Width; 2.219"

Cup Width: 1.625"

Thickness: 2.125"



ROLLER BEARING CUP AND CONE PN 932/941 TAPERED

Cup Part Number: 932

Cone Part Number: 941

Cage Material: Stamped Steel

Dimension Unit: English

Bore Diameter: 4.0"

Outer Diameter: 8.375"

Cone Width; 2.625

Cup Width: 2.125"

Thickness: 2.625"



ROLLER BEARING CUP AND CONE PN HM 237535/237510 TAPERED

Cup Part Number: HM237510
Cone Part Number: HM237535
Cage Material: Stamped Steel
Dimension Unit: English
Bore Diameter: 6.5"
Outer Diameter: 11.375"
Cone Width; 2.50"
Cup Width: 1.875"
Thickness: 2.5"



ROLLER BEARING PN 23048 CC/C3W33 SPHERICAL

Dimension Unit: Metric

Bore Diameter – 240 mm

Outside Diameter – 360 mm

Width – 92 mm

Seal or Shield – Open type

Cage Type - Steel

Clearance – C3

Reference Speed Rating (Rpm) – 1500

Static load (KN) – 20280

Dynamic Load (KN) - 1290

Annex "A-2"



ROLLER BEARING PN 22220 E1 SPHERICAL

Dimension Unit: Metric

Bore Diameter – 100 mm

Outside Diameter – 180 mm

Width – 46 mm

Seal or Shield – Open type

Cage Type - Steel

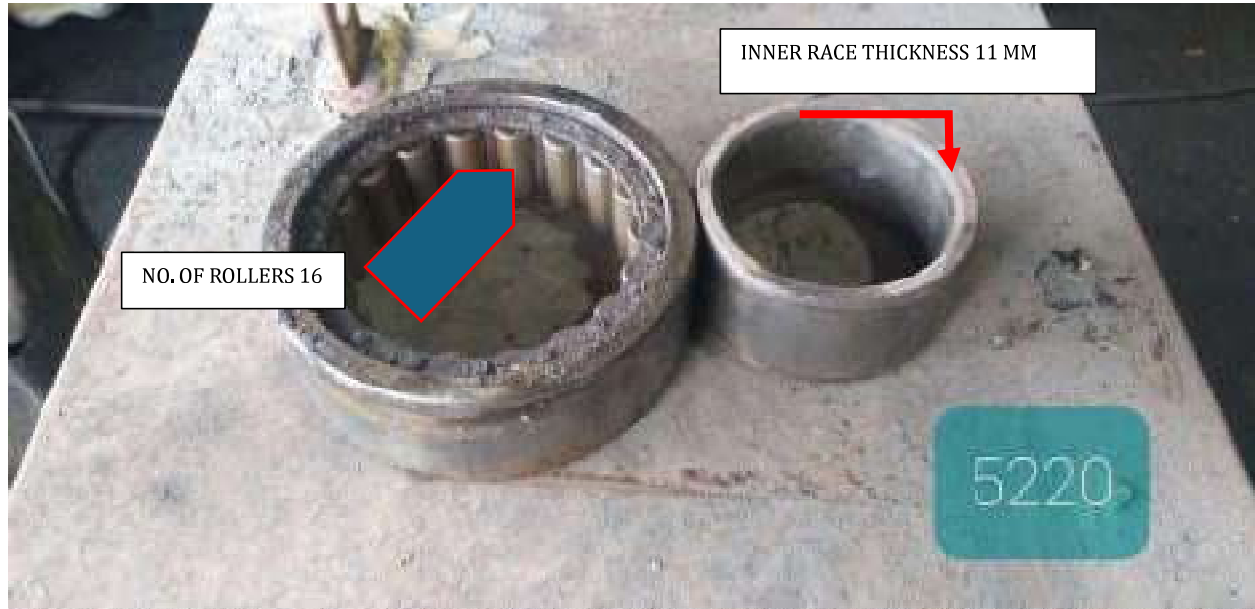
Clearance – Standard

Reference Speed Rating (Rpm) – 3150

Static load (KN) –475

Dynamic Load (KN) - 430

Annex "A-3"



ROLLER BEARING PN 5220 CYLINDRICAL

Dimension Unit: Metric

Bore Diameter – 100 mm

Outside Diameter – 180 mm

Inner race thickness – 11 mm

Riveted type

Cage - Steel

No of cylindrical rollers -16

Annex "A-3"



ROLLER BEARING PN 5212 CYLINDRICAL

Dimension Unit: Metric

Bore Diameter – 60 mm

Outside Diameter – 110 mm

Inner race thickness – 7.7 mm

Riveted type

Cage - Steel

No of cylindrical rollers -18

Annex "A-4"

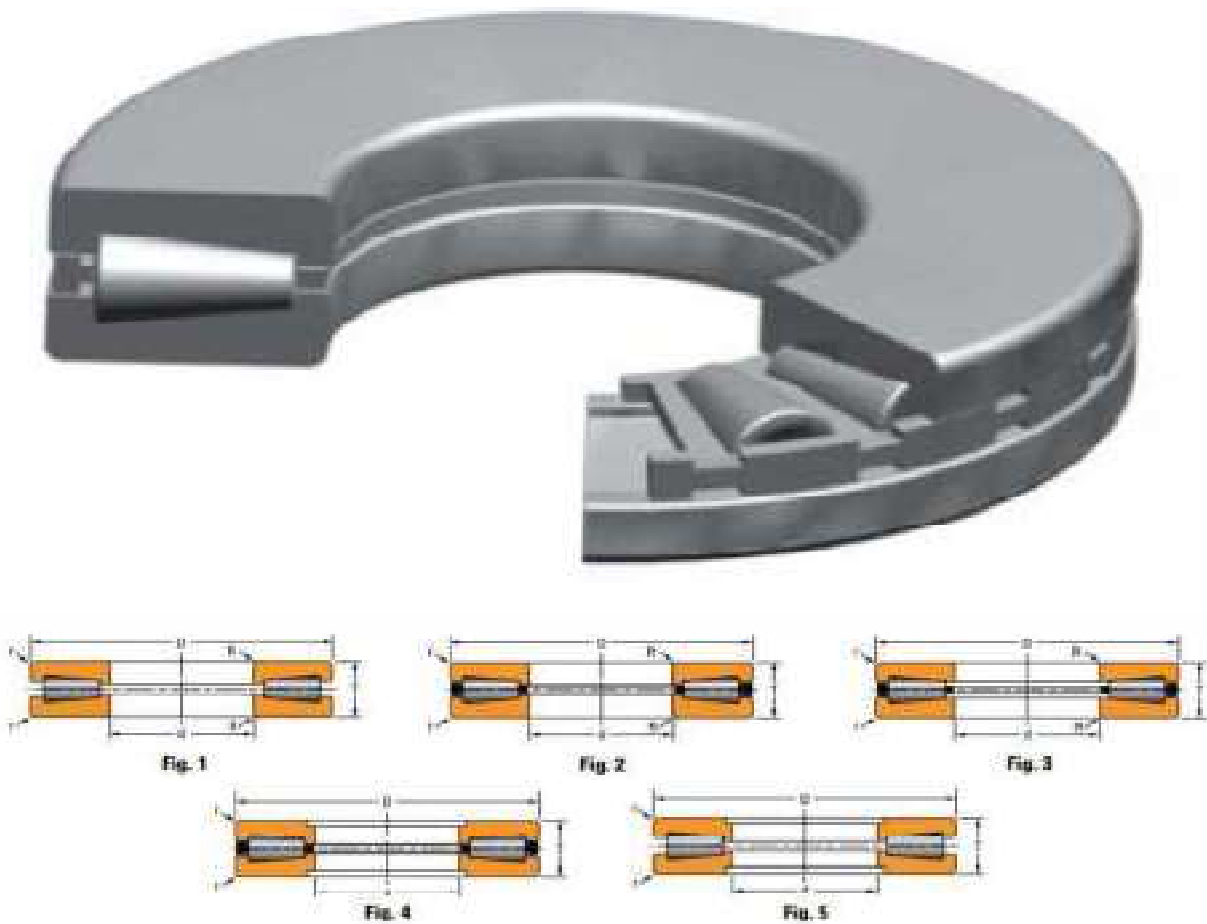


FIGURE OF THE TAPERED ROLLER
THRUST BEARING PN T811

Dimension: Metric

Inside Diameter – 203.2 mm

Outside Diameter – 419.1 mm

Thickness – 92.075

Category : Thrust tapered roller bearings



BALL BEARING PN 6319 C3 STEEL CAGE

Dimension Unit: Metric

Bore Diameter – 95 mm

Outside Diameter – 200 mm

Width – 45 mm

Seal or Shield – Open type

Cage Type - Steel

Clearance – C3

Reference Speed Rating (Rpm) – 4500

Static load (KN) –118

Dynamic Load (KN) - 159